

DATA SHEET

CRANK LIFTS

CT-1

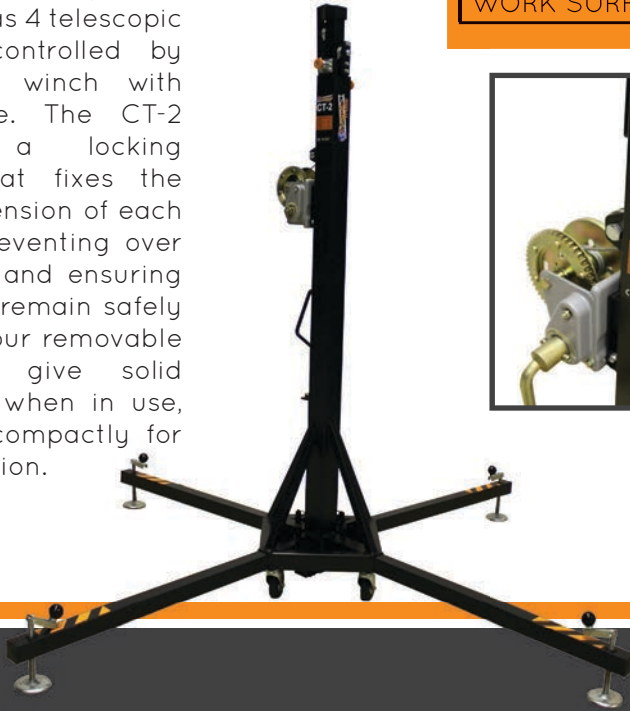
The CT-1 is a compact telescopic stand designed for use in any kind of small to medium application. Highly portable, yet with a substantial weight loading, the in-built legs of the CT-1 fold flat for storage. A manual winch, disc brake and fixed locking positions give solid and safe control.

CT-1 TECHNICAL SPECIFICATIONS	
MAX HEIGHT	12.5'
LOAD CAPACITY	275 lbs
UNIT HEIGHT	4.1'
UNIT WEIGHT	47 lbs
WORK SURFACE	4.9' x 4.9'



CT-2

Designed for heavy loads, the CT-2 has 4 telescopic sections controlled by a manual winch with disc brake. The CT-2 features a locking system that fixes the height extension of each section, preventing over extending, and ensuring that loads remain safely in place. Four removable outriggers give solid grounding when in use, yet store compactly for transportation.



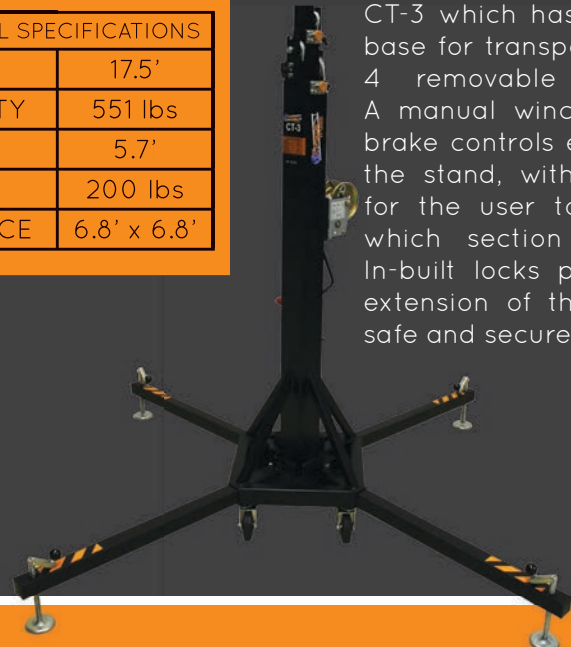
CT-2 TECHNICAL SPECIFICATIONS	
MAX HEIGHT	17.5'
LOAD CAPACITY	275 lbs
UNIT HEIGHT	5.6'
UNIT WEIGHT	90 lbs
WORK SURFACE	6.6' x 6.6'



CT-3

Heavy loads of up to 485 lbs. are supported by the CT-3 which has a wheeled base for transportation and 4 removable outriggers. A manual winch with disc brake controls extending of the stand, with the ability for the user to determine which section rises first. In-built locks prevent over extension of the stand for safe and secure operation.

CT-3 TECHNICAL SPECIFICATIONS	
MAX HEIGHT	17.5'
LOAD CAPACITY	551 lbs
UNIT HEIGHT	5.7'
UNIT WEIGHT	200 lbs
WORK SURFACE	6.8' x 6.8'



DATA SHEET

CRANK LIFTS

CT-5



The CT-5 is a front loading telescopic tower with a height of over 21 feet and a substantial weight loading of 529 lbs. Operated via a manual winch with steel cable, the CT-5 features two safety systems, including an inertia lock. The four outriggers fold up to give a compact size for transportation.

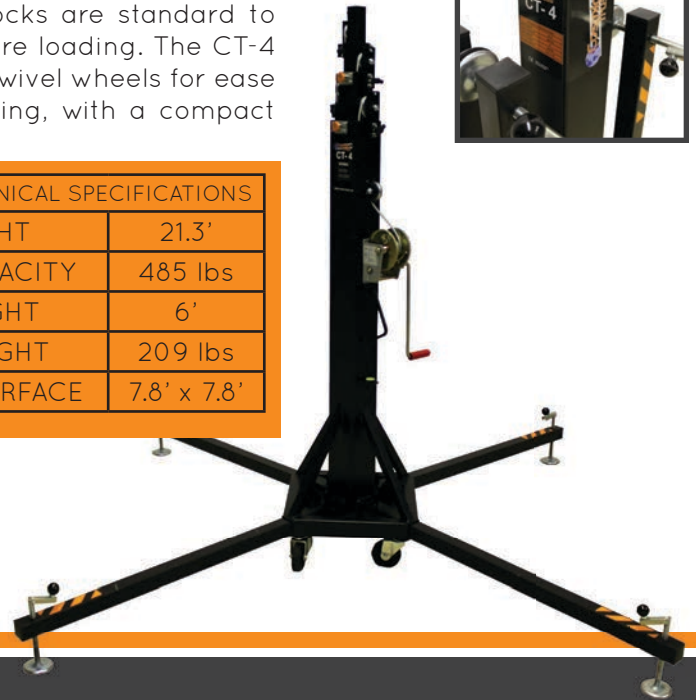


High reaching heavy loads are the specialty of the CT-4 with a capacity of 485 lbs. at a height of over 21 feet. Users can determine the order in which the tower sections extend, all of which are controlled via a manual winch with disc brake. Over extension locks are standard to ensure secure loading. The CT-4 features 4 swivel wheels for ease in transporting, with a compact footprint.

CT-4



CT-4 TECHNICAL SPECIFICATIONS	
MAX HEIGHT	21.3'
LOAD CAPACITY	485 lbs
UNIT HEIGHT	6'
UNIT WEIGHT	209 lbs
WORK SURFACE	7.8' x 7.8'

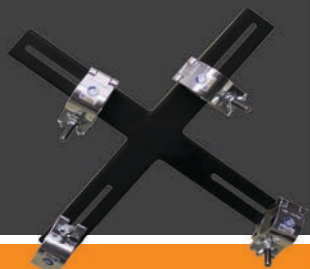


ACCESSORIES

CT-5 TECHNICAL SPECIFICATIONS	
MAX HEIGHT	21.3'
LOAD CAPACITY	529 lbs
UNIT HEIGHT	6.5'
UNIT WEIGHT	251 lbs
WORK SURFACE	7.2' x 7.2'

TSB-03

Adjustable 4 point truss support bar - 1.38" insertion



SBL-01

Ladder truss support bar - 1.38" insertion



SBU-01

U-piece for horizontal load used with CT-5



SBT-01

T-bar, 74.5" wide - 1.38" insertion



TSB-01

Adjustable truss support bar - 1.38" insertion



TSB-02

Adjustable truss support bar - 2.2" insertion