
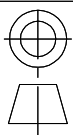
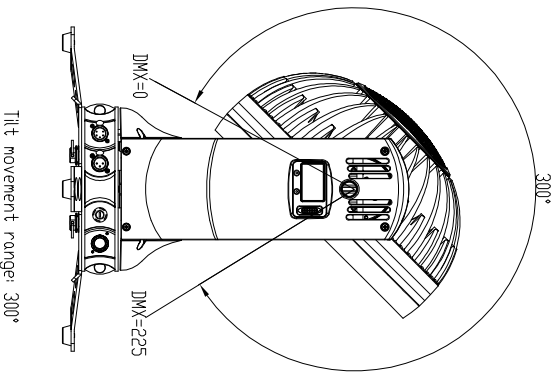
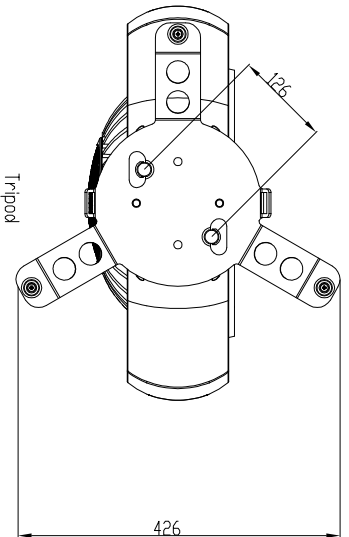
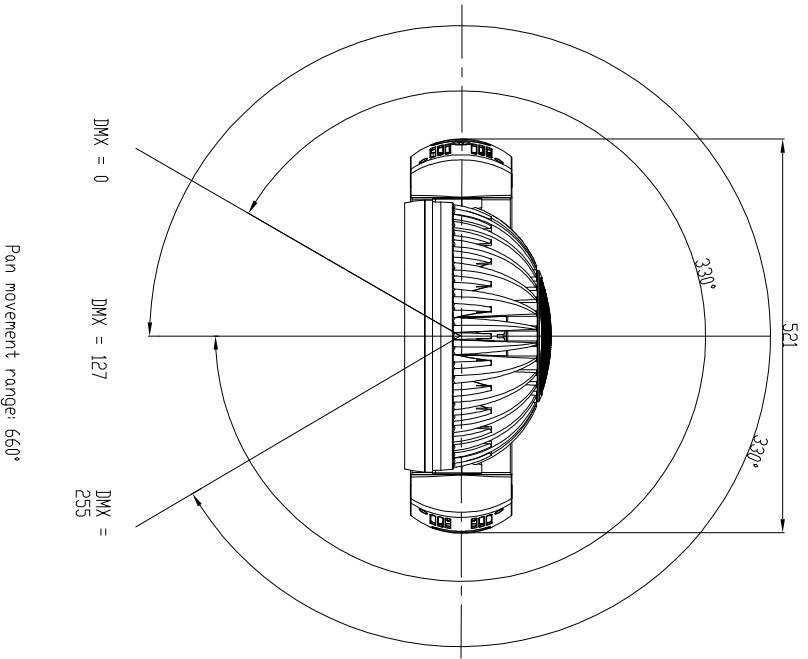



UNLESS OTHERWISE SPECIFIED		DRW:	PART NO.:	 GERMAN LIGHT PRODUCTS GMBH IM. STECKMÄDLE 13 76307 KARLSBAD - GERMANY PHONE: +49 (0)7248/92719-0 WWW.GLP.DIE	
DIMENSIONAL TOLERANCES:		CHK:	DRAWING NO.:		
6	= ± 0,05	APP:	DATE: 15-Nov-10	REV.:	DESCRIPTION: IMPRESSION XL - DIMENSIONS
6-30	= ± 0,1				
30-120	= ± 0,15				MATERIAL:
120	= ± 0,2				FINISH:
ANGLES = ± 0,5°					ALL DIMENSIONS ARE IN MILLIMETERS UNLESS NOTED OTHERWISE. REMOVE ALL BURRS AN SHARP EDGES. DO NOT SCALE
PROPRIETARY NOTICE:		SIZE A4		THIRD ANGLE PROJ. 	
ALL INFORMATION HEREIN IS THE SOLE AND EXCLUSIVE PROPERTY OF GLP, AND MAY NOT BE USED, DISCLOSED OR REPRODUCED IN ANY MANNER WITHOUT THE ADVANCE WRITTEN CONSENT OF GLP.		SCALE: 1:10		FILENAME: IMPRESSION_XL	
		SHEET 1 OF 2			



UNLESS OTHERWISE SPECIFIED		DRW:	PART NO.:	 GERMAN LIGHT PRODUCTS GMBH IM. STECKMÄDLE 13 76307 KARLSBAD - GERMANY PHONE: +49 (0)7248/92719-0 WWW.GLP.DIE	
DIMENSIONAL TOLERANCES:		CHK:	DRAWING NO.:		
6	= ± 0,05	APP:	DATE: 19-Nov-10	REV.:	DESCRIPTION: IMPRESSION XL - DIMENSIONS
6-30	= ± 0,1	PROPRIETARY NOTICE: ALL INFORMATION HEREIN IS THE SOLE AND EXCLUSIVE PROPERTY OF GLP, AND MAY NOT BE USED, DISCLOSED OR REPRODUCED IN ANY MANNER WITHOUT THE ADVANCE WRITTEN CONSENT OF GLP.			
30-120	= ± 0,15	SIZE A4		MATERIAL: FINISH:	
120	= ± 0,2	THIRD ANGLE PROJ.		ALL DIMENSIONS ARE IN MILLIMETERS UNLESS NOTED OTHERWISE. REMOVE ALL BURS AN SHARP EDGES. DO NOT SCALE	
ANGLES = ± 0,5°		SCALE 1:10		FILENAME: IMPRESSION_XL	
SHEET 2 OF 2		SCALE 1:10		SHEET 2 OF 2	