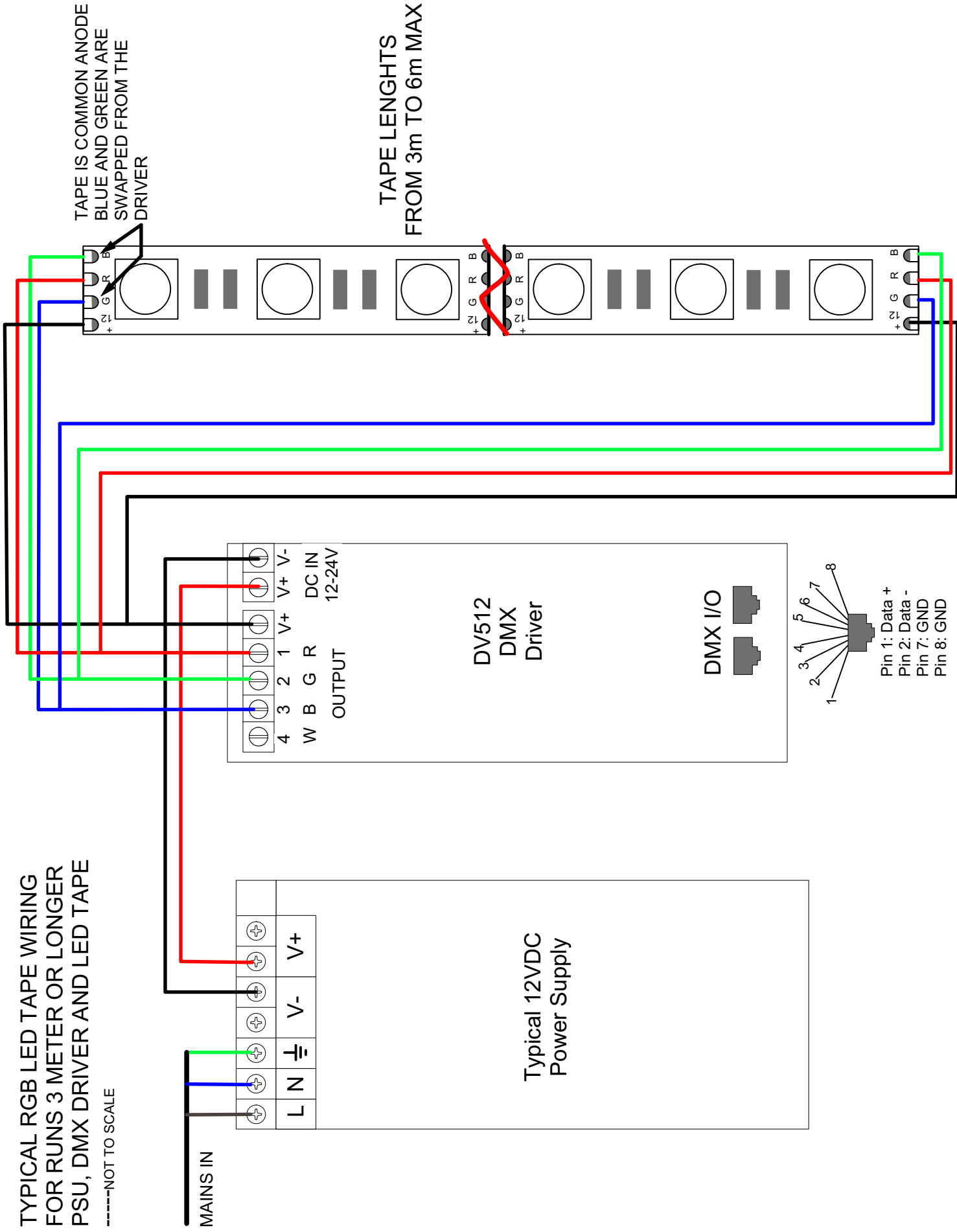


**TYPICAL RGB LED TAPE WIRING
FOR RUNS 3 METER OR LONGER
PSU, DMX DRIVER AND LED TAPE**

-----NOT TO SCALE



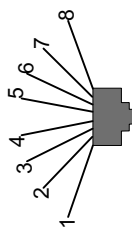
TAPE IS COMMON ANODE
BLUE AND GREEN ARE
SWAPPED FROM THE
DRIVER

TAPE LENGTHS
FROM 3m TO 6m MAX

4 W B G R OUTPUT
1 V+
2 V+
3 V+
4 V- DC IN 12-24V

DV512
DMX
Driver

DMX I/O



Pin 1: Data +
Pin 2: Data -
Pin 7: GND
Pin 8: GND

L N GND V- V+
Typical 12VDC
Power Supply

MAINS IN