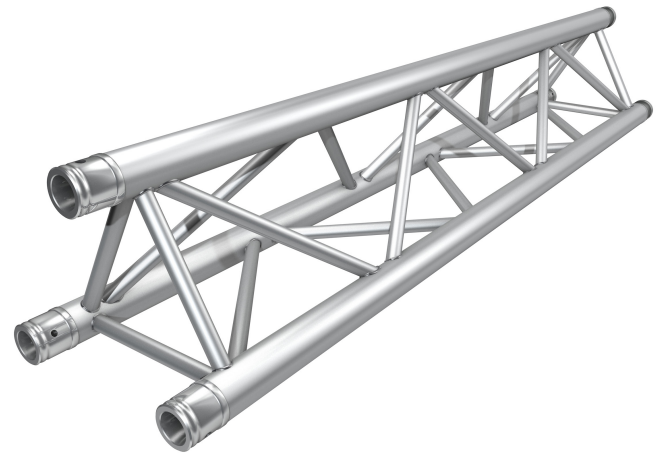


# F33

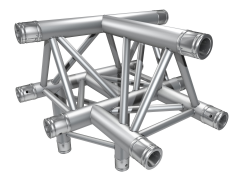
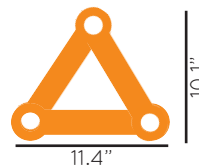
The F33 is a triangular high strength truss system that combines light weight with optimum strength and load capacity.

F33 is also available in arcs and circles, with a wide variety of corner sections are also available.



## Technical Data

Pipe diameter: 1.96"  
 Wall thickness: 0.08"  
 Material: AlMgSi F31/T6082  
 Connectors: Included  
 TÜV Nord cert.: Yes  
 DIN: 4113,4113-3,13814



Span	Uniform distribution load	Deflection	Center point load	Deflection	Third point load	Deflection	Quarter point load	Deflection
Feet	Pounds/foot	Inches	Pounds	Inches	Pounds	Inches	Pounds	Inches
13.1	160	0.5	965.8	0.4	688	0.5	507.2	0.5
16.4	102.2	0.8	780.6	0.6	562.3	0.7	405.2	0.7
19.7	70.6	1.16	652.7	0.9	474.1	1.1	337.4	1.1
23	51.1	1.6	557.9	1.2	405.7	1.5	286.7	1.5
26.2	38.3	2.1	482.9	1.6	355	2	247	1.5
29.5	30.2	2.6	423.4	2.1	313.1	2.5	216.1	1.9
32.8	23.5	3.3	374.9	2.6	277.8	3.2	191.8	2.5
36.1	19.5	4	333	3.2	249.2	3.9	169	3.1
39.4	15.5	4.7	300	3.8	222.7	4.7	152.2	3.7
42.6	12.8	5.6	269	4.6	200.7	5.5	136.7	4.5
45.9	10.8	6.5	240.4	5.3	183	6.5	123.5	5.3
49.2	9.4	7.5	218.3	6.2	165.4	7.5	110.3	6.2
52.5	7.4	8.5	196.3	7.2	150	8.6	99.2	7.1



@cosmictruss

