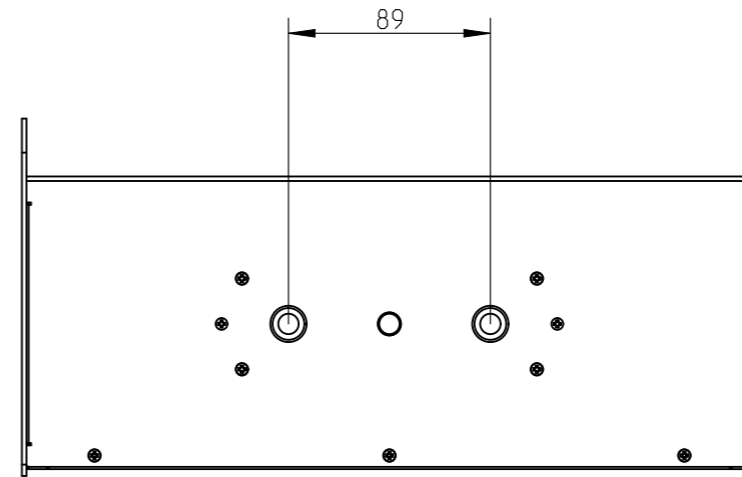
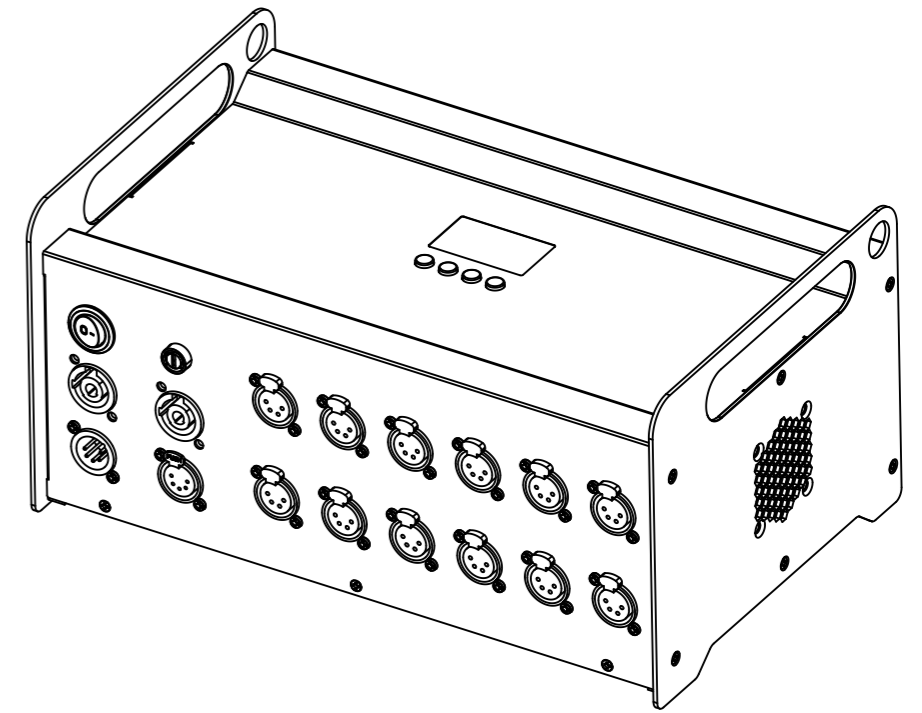
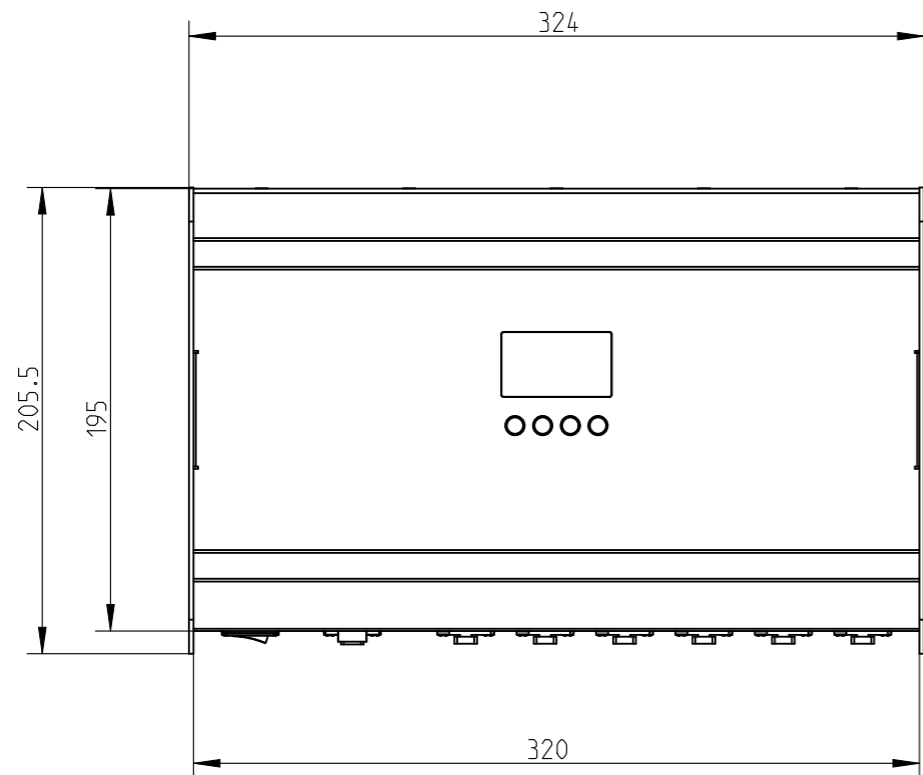
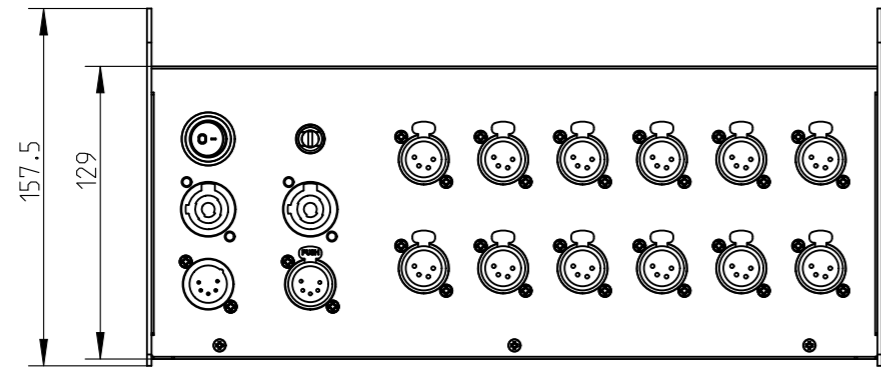




1 2 3 4 5 6 7 8

A  
B  
C  
D  
E  
F



ID	REV.	CHANGE DESCRIPTION		DATE	CHANGED BY
UNLESS OTHERWISE SPECIFIED:		DRW: F.W.	PART NO.:	REVISION:	 German Light Prodcfs GmbH Industriestr. 2 76307 Karlsbad - Germany +49 (0)7248/92719-0 www.glp.de
Dimensional tolerances <6 = ± 0.05 6-30 = ± 0.1 30-120 = ± 0.15 >120 = ± 0.2 ANGLES = ± 0.5°		CHK:	DRAWING NO.:	1	
PROPRIETARY NOTICE:		SIZE A3		MODEL NAME: X4-Atom-PSU 12H	
All information herein is the sole and exclusive property of GLP, and may not be used, disclosed or reproduced in any manner without the advance written consent of GLP.		THIRD ANGLE PROJ.		MATERIAL:	FINISH:
				ALL dimensions are in millimeters unless noted otherwise FILENAME: X4-ATOM-PSU_12H	
DO NOT SCALE			SCALE 3:10		SHEET 1 OF 1